

## Combined 4G LTE (Main & Diversity) / GPS Antenna

Part Number: 020-1053



### Overview

The combined 4G LTE (Main & Diversity) / GPS Antenna has been designed for use with the DSE890 MKII. The DSE890 MKII uses the antenna to detect its GPS location and connect to the Internet. The internet connection allows it to connect to the DSEWebNet® server and/or MQTT broker, depending on user configuration.

### Key Features

- 4G/3G/2G/GPS connectivity.
- Works across multiple frequencies.
- IP67/IP69K/IK09 protection.

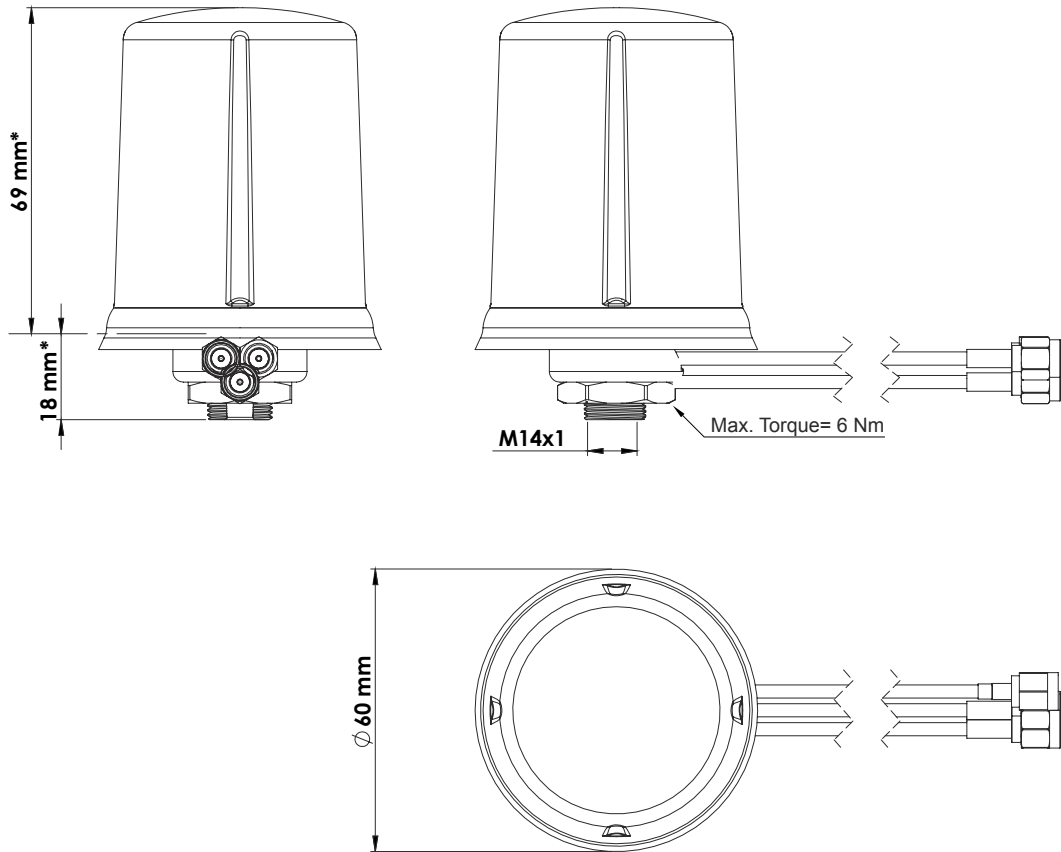
Specifications	
Type	Cellular / LTE / GPS / GLONASS Antenna
Bands (Cellular/LTE)	698 MHz to 960 MHz / 1710 MHz to 2170 MHz / 2500 MHz to 2700 MHz
Bands (GPS/GLONASS)	1575 MHz / 1602 MHz
Protection	IP67 / IP69 / IK09
Operating & Storage Temperature	-40 °C to +85 °C -40 °F to +185 °F
Material	Base: Zamak
Maximum Dimensions	Diameter: 60 mm Housing Depth: 69 mm Bolt Depth: 18 mm
Weight	300 g 10.58 oz
Colour	Black
Cable Length	3 m



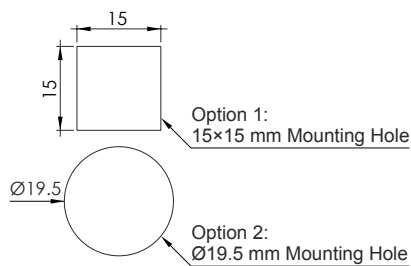
## Combined 4G LTE (Main & Diversity) / GPS Antenna

Part Number: 020-1053

### Technical Drawing



### Mounting Options



Note: Dimensions are in millimeters  
\*Dimensions are after mounting

