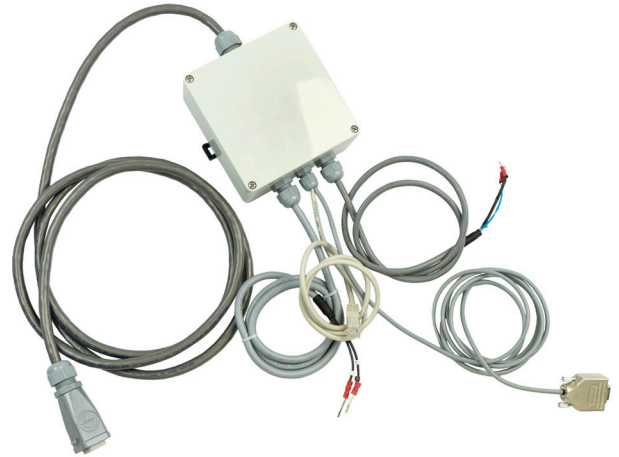


DSE7570 Remote Sync Lock Controller

Part Number: 7570-02 / 7570-03



Overview

The DSE7570 is a Remote Sync Lock Controller designed to work with the DSE8610 MKII to provide seamless power transfer between mains (utility) and a temporary generator, to enable transformer maintenance without loss in the supply. The DSE7570 achieves this by locking the generator into synchronism with the mains (utility) supply, enabling the operator to open and close the transformer's manually operated switchgear / fuses, which may be remote from the temporary generator.

The DSE7570 is a two part solution consisting of the DSE7570-02 which is mounted in a robust travel case, and the DSE7570-03 communication interface to connect the DSE7570 to the DSE8610 MKII. The robust travel case is ideal, making it easy to transport the device between job sites and offers a high level of protection whilst doing so. The communication interface can be DIN rail mounted, enabling one to be fitted to each generator in the fleet for ease of operation. Where access is restricted, the DSE7570-03 communication interface can support a maximum distance of 200 m between the DSE7570-02 and DSE8610 MKII.

Key Features

- User friendly sync locking solution providing seamless power between mains (utility) and a temporary generator, ideal for transformer maintenance.
- A loud siren allowing the operator to be easily notified when the temporary generator is held in sync with the mains (utility).
- Supports up to 200 m between generator and DSE7570 providing application flexibility where access is limited.

Product Approvals
+ CE

Product Documentation

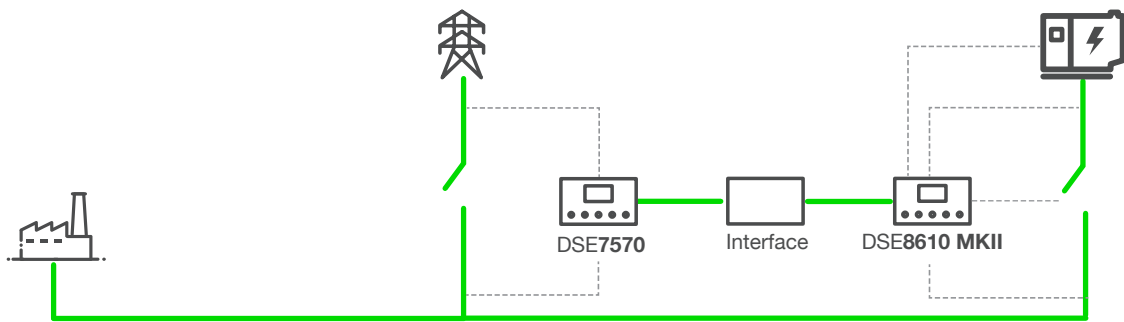
053-083 – DSE7570 Installation Instructions
057-132 – DSE7570 Operator Manual



DSE7570 Remote Sync Lock Controller

Part Number: 7570-02 / 7570-03

Typical Applications



Product Documentation

053-083 – DSE7570 Installation Instructions
057-132 – DSE7570 Operator Manual



DEEP SEA ELECTRONICS UK
T: +44 (0) 1723 890099
E: sales@deepseaelectronics.com
W: www.deepseaelectronics.com

DEEP SEA ELECTRONICS USA
T: +1 (815) 316 8706
E: usasales@deepseaelectronics.com
W: www.deepseaelectronics.com

DEEP SEA ELECTRONICS UAE
T: +971 (0) 45910819
E: uaesales@deepseaelectronics.com
W: www.deepseaelectronics.com

DEEP SEA ELECTRONICS INDIA
T: +91 20 68195900
E: sales@deepseaelectronics.com
W: www.deepseaelectronics.com

DSE7570 Remote Sync Lock Controller

Part Number: 7570-02 / 7570-03

Specifications	
DC Supply	
Continuous Voltage Rating	8 V to 35 V DC continuous
Cranking Dropouts	Able to survive 0 V for 50 ms, providing supply was at least 10 V before dropout and supply recovers to 5 V. This is achieved without the need for internal batteries. Backlight will not be maintained during cranking.
Maximum Operating Current	480 mA at 12 V, 250 mA at 24 V
Voltage Measurement	
Number	2
Measurement Inputs	3 Phase + Neutral Generator and Mains (Utility)
Voltage Range	15 V to 333 V Phase to Neutral 25 V to 577 V Phase to Phase
Frequency Range	3.5 Hz to 75 Hz
Communications	
RS232	DSE8610 MKII Com Port
DSE810	DSE5510 / DSE7510 Com Port
MSC	Fully Isolated MSC Port
Temperature	
Operating Temperature	-30 °C to +70 °C / -22 °F to +158 °F
Storage Temperature	-40 °C to +85 °C / -40 °F to +185 °F
Dimensions	
Overall (W x H x D) (7570-02)	331 mm x 409 mm x 175 mm / 13.03 " x 16.10 " x 6.89 "
Overall (W x H x D) (7570-03)	180 mm x 130 mm x 65 mm / 7.09 " x 5.12 " x 2.56 "
Mounting	
Type	DIN Rail
DIN Rail	35 mm

Product Documentation

053-083 – DSE7570 Installation Instructions

057-132 – DSE7570 Operator Manual



DEEP SEA ELECTRONICS UK
 T: +44 (0) 1723 890099
 E: sales@deepseaelectronics.com
 W: www.deepseaelectronics.com

DEEP SEA ELECTRONICS USA
 T: +1 (815) 316 8706
 E: usasales@deepseaelectronics.com
 W: www.deepseaelectronics.com

DEEP SEA ELECTRONICS UAE
 T: +971 (0) 45910819
 E: uaesales@deepseaelectronics.com
 W: www.deepseaelectronics.com

DEEP SEA ELECTRONICS INDIA
 T: +91 20 68195900
 E: sales@deepseaelectronics.com
 W: www.deepseaelectronics.com

DSE7570 Remote Sync Lock Controller

Part Number: 7570-02 / 7570-03

Related Products		
DSEGenset®		
DSE8610 MKII	Synchronising & Load Sharing Auto Start Control Module	8610-02
DSE7510	Synchronising & Load Sharing Auto Mains (Utility) Failure Control Module	Obsolete
DSE5510	Synchronising & Load Sharing Control Module	Obsolete
Third Party Accessories		
Generator & Mains (Utility) Sensing Connectors		
Manufacturer	Description	Manufacturer Part Number
TE Connectivity	HA3 Receptacle Hood	1-1102101-7
TE Connectivity	Hood Gland	1-1106004-9
TE Connectivity	HA3 Receptacle Insert	2-1103003-3
TE Connectivity	Contacts	1-1105051-2
Communication Interface Connector		
Manufacturer	Description	Manufacturer Part Number
EPIC	HA 4 Receptacle Hood	10426500
EPIC	HA 4 Receptacle Insert	10432000

Product Documentation

053-083 – DSE7570 Installation Instructions

057-132 – DSE7570 Operator Manual



DEEP SEA ELECTRONICS UK
 T: +44 (0) 1723 890099
 E: sales@deepseaelectronics.com
 W: www.deepseaelectronics.com

DEEP SEA ELECTRONICS USA
 T: +1 (815) 316 8706
 E: usasales@deepseaelectronics.com
 W: www.deepseaelectronics.com

DEEP SEA ELECTRONICS UAE
 T: +971 (0) 45910819
 E: uaesales@deepseaelectronics.com
 W: www.deepseaelectronics.com

DEEP SEA ELECTRONICS INDIA
 T: +91 20 68195900
 E: sales@deepseaelectronics.com
 W: www.deepseaelectronics.com

DSE7570 Remote Sync Lock Controller

Part Number: 7570-02 / 7570-03

Environmental Testing Standards	
Electro-Magnetic Compatibility	
BS EN 61000-6-2	EMC Generic Immunity Standard for the Industrial Environment
BS EN 61000-6-4	EMC Generic Emission Standard for the Industrial Environment
Electrical Safety	
BS EN 60950	Safety of Information Technology Equipment, including Electrical Business Equipment
Temperature	
BS EN 60068-2-1	Ab/Ae Cold Test -30 °C
BS EN 60068-2-2	Bb/Be Dry Heat +70 °C
Vibration	
BS EN 60068-2-6	Ten sweeps in each of three major axes 5 Hz to 8 Hz at ±7.5 mm, 8 Hz to 500 Hz at 2 G _n
Humidity	
BS EN 60068-2-30	Db Damp Heat Cyclic 20/55 °C at 95% Relative Humidity 48 Hours
BS EN 60068-2-78	Cab Damp Heat Static 40 °C at 93% Relative Humidity 48 Hours
Shock	
BS EN 60068-2-27	Three shocks in each of three major axes 15 G _n in 11 ms
Degrees of Protection Provided by Enclosures	
BS EN 60529	IP67 - When case is closed

Product Documentation

053-083 – DSE7570 Installation Instructions

057-132 – DSE7570 Operator Manual



DEEP SEA ELECTRONICS UK
 T: +44 (0) 1723 890099
 E: sales@deepseaelectronics.com
 W: www.deepseaelectronics.com

DEEP SEA ELECTRONICS USA
 T: +1 (815) 316 8706
 E: usasales@deepseaelectronics.com
 W: www.deepseaelectronics.com

DEEP SEA ELECTRONICS UAE
 T: +971 (0) 45910819
 E: uaesales@deepseaelectronics.com
 W: www.deepseaelectronics.com

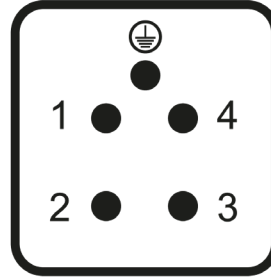
DEEP SEA ELECTRONICS INDIA
 T: +91 20 68195900
 E: sales@deepseaelectronics.com
 W: www.deepseaelectronics.com

DSE7570 Remote Sync Lock Controller

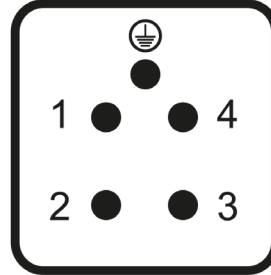
Part Number: 7570-02 / 7570-03

DSE7570-02 Connections

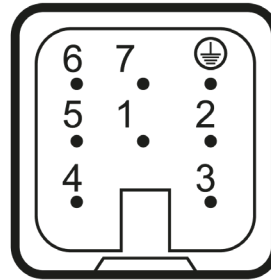
Mains (Utility) Connector	
Pin	Description
1	L1 Voltage Sensing
2	L2 Voltage Sensing
3	L3 Voltage Sensing
4	Neutral Sensing



Generator Connector	
Pin	Description
1	L1 Voltage Sensing
2	L2 Voltage Sensing
3	L3 Voltage Sensing
4	Neutral Sensing



Control Cable Connector	
Pin	Description
1	MSC Port H
2	MSC Port L
3	Communications A
4	Communications B
5	DC Plant Supply Negative
6	DC Plant Supply Positive
7	Shield



Product Documentation

053-083 – DSE7570 Installation Instructions
057-132 – DSE7570 Operator Manual



DEEP SEA ELECTRONICS UK
T: +44 (0) 1723 890099
E: sales@deepseaelectronics.com
W: www.deepseaelectronics.com

DEEP SEA ELECTRONICS USA
T: +1 (815) 316 8706
E: usasales@deepseaelectronics.com
W: www.deepseaelectronics.com

DEEP SEA ELECTRONICS UAE
T: +971 (0) 45910819
E: uaesales@deepseaelectronics.com
W: www.deepseaelectronics.com

DEEP SEA ELECTRONICS INDIA
T: +91 20 68195900
E: sales@deepseaelectronics.com
W: www.deepseaelectronics.com

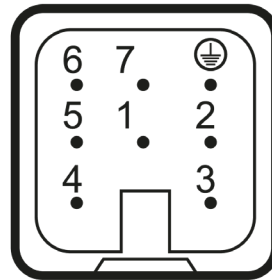
DSE7570 Remote Sync Lock Controller

Part Number: 7570-02 / 7570-03

DSE7570-03 Connections

Interface Connections	
Wire / Connector	Description
J2	DC Negative
K1	DC Positive
H	MSC H
L	MSC L
SCR	MSC Screen
DSE810 (RJ45)	DSE5510 / DSE7510 Communications
RS232	DSE8610 MKII Communications

Control Cable Connector	
Pin	Description
1	MSC Port H
2	MSC Port L
3	Communications A
4	Communications B
5	DC Plant Supply Negative
6	DC Plant Supply Positive
7	Shield



Product Documentation

053-083 – DSE7570 Installation Instructions

057-132 – DSE7570 Operator Manual



DEEP SEA ELECTRONICS UK
T: +44 (0) 1723 890099
E: sales@deepseaelectronics.com
W: www.deepseaelectronics.com

DEEP SEA ELECTRONICS USA
T: +1 (815) 316 8706
E: usasales@deepseaelectronics.com
W: www.deepseaelectronics.com

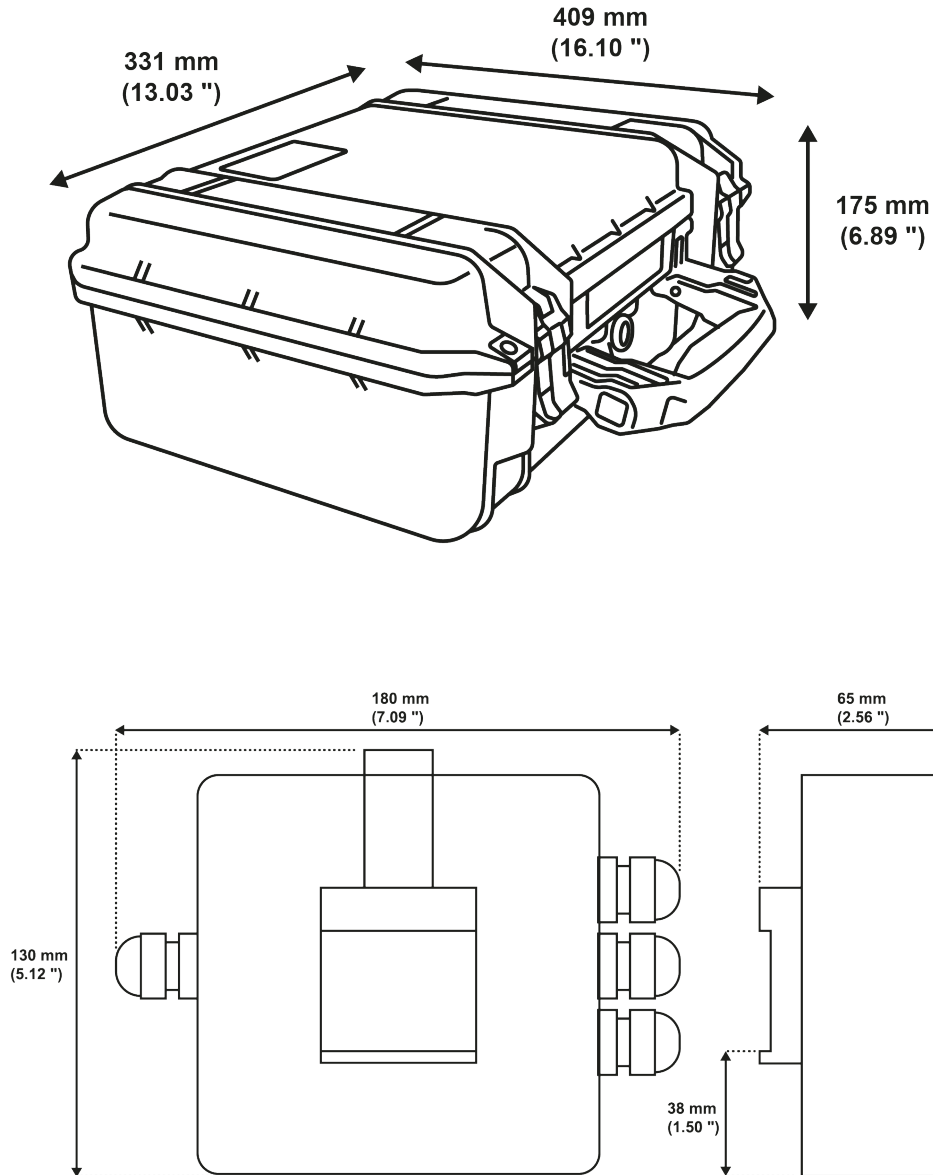
DEEP SEA ELECTRONICS UAE
T: +971 (0) 45910819
E: uaesales@deepseaelectronics.com
W: www.deepseaelectronics.com

DEEP SEA ELECTRONICS INDIA
T: +91 20 68195900
E: sales@deepseaelectronics.com
W: www.deepseaelectronics.com

DSE7570 Remote Sync Lock Controller

Part Number: 7570-02 / 7570-03

Technical Drawing



Product Documentation

053-083 – DSE7570 Installation Instructions
057-132 – DSE7570 Operator Manual



DEEP SEA ELECTRONICS UK
T: +44 (0) 1723 890099
E: sales@deepseaelectronics.com
W: www.deepseaelectronics.com

DEEP SEA ELECTRONICS USA
T: +1 (815) 316 8706
E: usasales@deepseaelectronics.com
W: www.deepseaelectronics.com

DEEP SEA ELECTRONICS UAE
T: +971 (0) 45910819
E: uaesales@deepseaelectronics.com
W: www.deepseaelectronics.com

DEEP SEA ELECTRONICS INDIA
T: +91 20 68195900
E: sales@deepseaelectronics.com
W: www.deepseaelectronics.com