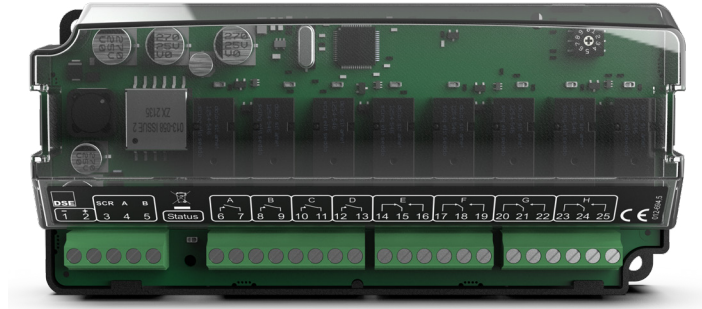


DSE2157 DSENet® Output Expansion Module

Part Number : 2157-01



Overview

The DSE2157 Output Expansion Module has been developed for use with a wide range of DSE products. The DSE2157 extends the host modules output capabilities for increased application flexibility. This is achieved by providing an additional 4 normally open volt-free contacts and 4 changeover volt-free contacts.

For enhanced communication with the host module, the DSE2157 features a DSENet® port for connection to a wide range of DSE products. A red status LED is provided to easily identify when the DSE2157 is connected to a power source and communicating with the host controller.

Key Features

- 4 Normally Open Volt-Free Contacts
- 4 Changeover Volt-Free Contacts
- Status LED to Indicate Power On and Link Lost
- DSENet® Communication

Product Range Compatibility



Product Documentation

053-034 – DSE2157 Installation Instructions
057-083 – DSE2157 Operator Manual



DEEP SEA ELECTRONICS UK
T: +44 (0) 1723 890099
E: sales@deepseaelectronics.com
W: www.deepseaelectronics.com

DEEP SEA ELECTRONICS USA
T: +1 (815) 316 8706
E: usasales@deepseaelectronics.com
W: www.deepseaelectronics.com

DEEP SEA ELECTRONICS UAE
T: +971 (0) 45910819
E: uaesales@deepseaelectronics.com
W: www.deepseaelectronics.com

DEEP SEA ELECTRONICS INDIA
T: +91 20 68195900
E: sales@deepseaelectronics.com
W: www.deepseaelectronics.com

DSE2157 DSENet® Output Expansion Module

Part Number: 2157-01

Specifications	
DC Supply	
Continuous Voltage Rating	8 V to 35 V DC continuous
Cranking Dropouts	Able to survive 0 V for 50 ms, providing supply was at least 10 V before dropout and supply recovers to 5 V. This is achieved without the need for internal batteries. LEDs and backlight will not be maintained during cranking.
Maximum Operating Current	325 mA at 12 V, 152 mA at 24 V
Maximum Standby Current	70 mA at 12 V, 32 mA at 24 V
Digital Outputs	
Number	8
Type	4 normally open volt-free contacts 4 changeover volt-free contacts
Output Rating	2 A at maximum of 30 V _{DC}
Communications	
DSENet®	Fully isolated
Temperature	
Operating Temperature	-30 °C to +70 °C / -22 °F to +158 °F
Storage Temperature	-40 °C to +85 °C / -40 °F to +185 °F
Dimensions	
Overall (W x H x D)	164.5 mm x 76.4 mm x 48.9 mm / 6.48" x 3.0" x 1.93"
Mounting	
DIN Rail	35 mm / 1.35"
Chassis	2 M4 mounting holes with 152.5 mm x 64.5 mm / 6.0" x 2.54" centres

Product Documentation

053-034 – DSE2157 Installation Instructions

057-083 – DSE2157 Operator Manual



DEEP SEA ELECTRONICS UK
 T: +44 (0) 1723 890099
 E: sales@deepseaelectronics.com
 W: www.deepseaelectronics.com

DEEP SEA ELECTRONICS USA
 T: +1 (815) 316 8706
 E: usasales@deepseaelectronics.com
 W: www.deepseaelectronics.com

DEEP SEA ELECTRONICS UAE
 T: +971 (0) 45910819
 E: uaesales@deepseaelectronics.com
 W: www.deepseaelectronics.com

DEEP SEA ELECTRONICS INDIA
 T: +91 20 68195900
 E: sales@deepseaelectronics.com
 W: www.deepseaelectronics.com

DSE2157 DSENet® Output Expansion Module

Part Number: 2157-01

Related Products - Standard		
DSEgenset®		
DSEG8900	7" Colour Parallel Genset Controller	G8900-01
DSEG8680	Bus-Tie Controller	G8680-01
DSEG8660	Mains (Utility) Controller	G8660-01
DSEG8600	Parallel Genset Controller with Integral Heater	G8600-01
DSE8680	Synchronising Generator Bus Tie Control Module	8680-01
DSE8660 MKII	Auto Transfer Switch & Mains (Utility) Control Module	8660-02
DSE8620 MKII	Synchronising Auto Mains (Utility) Failure Load Share Control Module	8620-02
DSE8610 MKII	Synchronising & Load Sharing Auto Start Control Module	8610-02
DSE7420 MKII	Auto Mains (Utility) Failure Control Module	7420-03
DSE7410 MKII	Auto Start Control Module	7410-03
DSE7320 MKII	Auto Mains (Utility) Failure Control Module	7320-03
DSE7310 MKII	Auto Start Control Module	7310-03
DSE6120 MKIII	Auto Mains (Utility) Failure Control Module	6120-05
DSE6110 MKIII	Auto Start Control Module	6110-05
DSEControl®		
DSEE800	Engine Only Control Module	E800-01
DSEats®		
DSE335 MKII	Auto Transfer Switch Control Module	0335-11
DSENet®		
DSE2548	DSENet® LED Output Expansion Module	2548-01
DSE2170	DSENet® RTD/Thermocouple/Analogue Output Expansion Module	2170-01
DSE2160	DSENet® Input / Output Expansion Module	2160-01
DSE2152	DSENet® Analogue Output Expansion Module	2152-01
DSE2133	DSENet® RTD/Thermocouple Input Expansion Module	2133-01
DSE2131	DSENet® Ratiometric Input Expansion Module	2131-01
DSE2130	DSENet® Input Expansion Module	2130-01

Product Documentation

053-034 – DSE2157 Installation Instructions

057-083 – DSE2157 Operator Manual



DEEP SEA ELECTRONICS UK
 T: +44 (0) 1723 890099
 E: sales@deepseaelectronics.com
 W: www.deepseaelectronics.com

DEEP SEA ELECTRONICS USA
 T: +1 (815) 316 8706
 E: usasales@deepseaelectronics.com
 W: www.deepseaelectronics.com

DEEP SEA ELECTRONICS UAE
 T: +971 (0) 45910819
 E: uaesales@deepseaelectronics.com
 W: www.deepseaelectronics.com

DEEP SEA ELECTRONICS INDIA
 T: +91 20 68195900
 E: sales@deepseaelectronics.com
 W: www.deepseaelectronics.com

DSE2157 DSENet® Output Expansion Module

Part Number: 2157-01

Related Products - Non-Standard & Obsolete		
DSEgenset®		
DSE8920	7" Colour Load Share & Synchronising Control Module	8920-01
DSE8860	Auto Transfer Switch & Mains (Utility) Graphical Colour Display Control Module	8860-01
DSE8810	Load Share Control with Graphical Colour Display	8810-01
DSE8760	Rear Mounted Auto Transfer Switch & Mains (Utility) Control Module	8760-01
DSE8710	Rear Mounted Synchronising & Load Sharing Control Module	8710-01
DSE8660	Auto Transfer Switch & Mains (Utility) Control Module	8660-01
DSE8620	Synchronising & Load Sharing Auto Mains (Utility) Failure Control Module	8620-01
DSE8610	Synchronising & Load Sharing Control Module	8610-01
DSE7450	DC/Hybrid Generator Control Module	7450-02
DSE7420	Auto Mains (Utility) Failure Control Module	7420-01
DSE7410	Auto Start Control Module	7410-01
DSE7320	Auto Mains (Utility) Failure Control Module	7320-01
DSE7310	Auto Start Control Module	7310-01
DSE6120 MKII	Auto Mains (Utility) Failure Control Module	6120-01
DSE6110 MKII	Auto Start Control Module	6110-01
DSEAts®		
DSE335	Auto Transfer Switch Control Module	0335-01

Product Documentation

053-034 – DSE2157 Installation Instructions

057-083 – DSE2157 Operator Manual



DEEP SEA ELECTRONICS UK
 T: +44 (0) 1723 890099
 E: sales@deepseaelectronics.com
 W: www.deepseaelectronics.com

DEEP SEA ELECTRONICS USA
 T: +1 (815) 316 8706
 E: usasales@deepseaelectronics.com
 W: www.deepseaelectronics.com

DEEP SEA ELECTRONICS UAE
 T: +971 (0) 45910819
 E: uaesales@deepseaelectronics.com
 W: www.deepseaelectronics.com

DEEP SEA ELECTRONICS INDIA
 T: +91 20 68195900
 E: sales@deepseaelectronics.com
 W: www.deepseaelectronics.com

DSE2157 DSENet® Output Expansion Module

Part Number: 2157-01

Environmental Testing Standards	
Electro-Magnetic Compatibility	
BS EN 61000-6-2	EMC Generic Immunity Standard for the Industrial Environment
BS EN 61000-6-4	EMC Generic Emission Standard for the Industrial Environment
Electrical Safety	
BS EN 60950	Safety of Information Technology Equipment, including Electrical Business Equipment
Temperature	
BS EN 60068-2-1	Ab/Ae Cold Test -30 °C
BS EN 60068-2-2	Bb/Be Dry Heat +70 °C
Vibration	
BS EN 60068-2-6	Ten sweeps in each of three major axes 5 Hz to 8 Hz at ±7.5 mm, 8 Hz to 500 Hz at 2 gn
Humidity	
BS EN 60068-2-30	Db Damp Heat Cyclic 20/55 °C at 95% RH 48 Hours
BS EN 60068-2-78	Cab Damp Heat Static 40 °C at 93% RH 48 Hours
Shock	
BS EN 60068-2-27	Three shocks in each of three major axes 15 gn in 11 ms
Degrees of Protection Provided by Enclosures	
BS EN 60529	IP21

Pin Out Description	
Pin	Description
1 to 2	DC Supply
3 to 5	DSENet®
6 to 13	Normally Open Volt-Free Contacts
14 to 25	Changeover Volt-Free Contacts

Product Documentation

053-034 – DSE2157 Installation Instructions

057-083 – DSE2157 Operator Manual



DEEP SEA ELECTRONICS UK
T: +44 (0) 1723 890099
E: sales@deepseaelectronics.com
W: www.deepseaelectronics.com

DEEP SEA ELECTRONICS USA
T: +1 (815) 316 8706
E: usasales@deepseaelectronics.com
W: www.deepseaelectronics.com

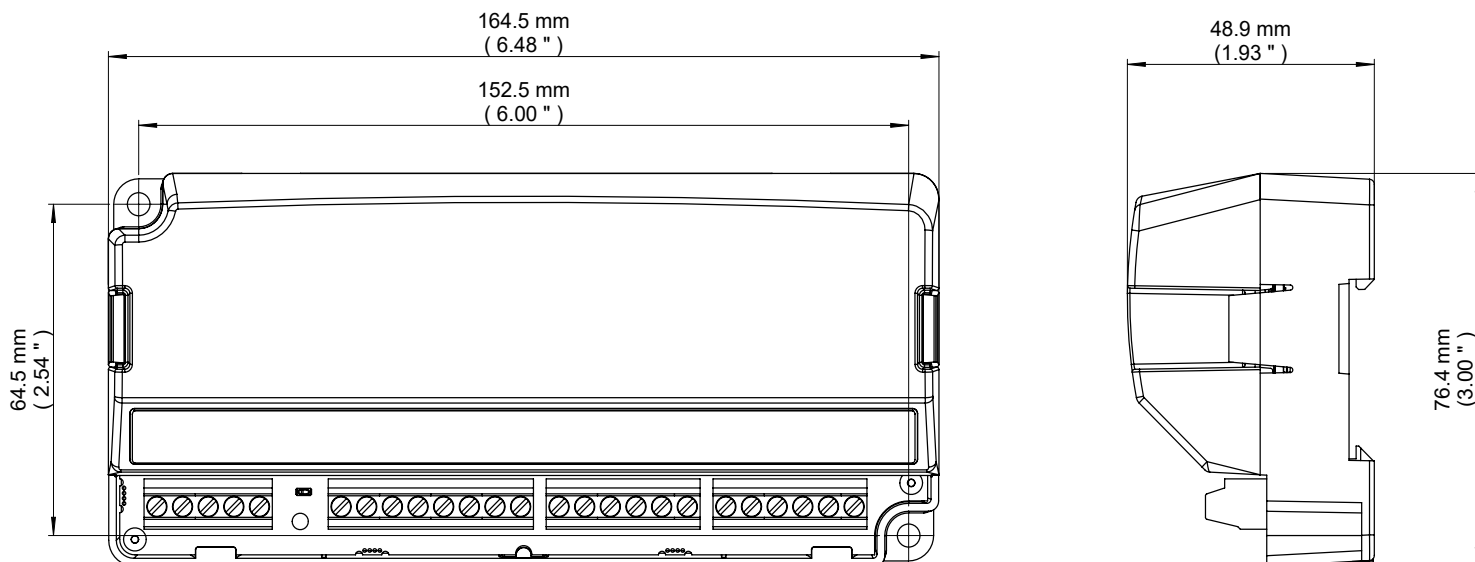
DEEP SEA ELECTRONICS UAE
T: +971 (0) 45910819
E: uaesales@deepseaelectronics.com
W: www.deepseaelectronics.com

DEEP SEA ELECTRONICS INDIA
T: +91 20 68195900
E: sales@deepseaelectronics.com
W: www.deepseaelectronics.com

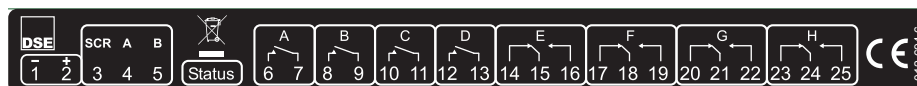
DSE2157 DSENet® Output Expansion Module

Part Number: 2157-01

Technical Drawing



Connection Diagram



Product Documentation

053-034 – DSE2157 Installation Instructions
 057-083 – DSE2157 Operator Manual



DEEP SEA ELECTRONICS UK
 T: +44 (0) 1723 890099
 E: sales@deepseaelectronics.com
 W: www.deepseaelectronics.com

DEEP SEA ELECTRONICS USA
 T: +1 (815) 316 8706
 E: usasales@deepseaelectronics.com
 W: www.deepseaelectronics.com

DEEP SEA ELECTRONICS UAE
 T: +971 (0) 45910819
 E: uaesales@deepseaelectronics.com
 W: www.deepseaelectronics.com

DEEP SEA ELECTRONICS INDIA
 T: +91 20 68195900
 E: sales@deepseaelectronics.com
 W: www.deepseaelectronics.com