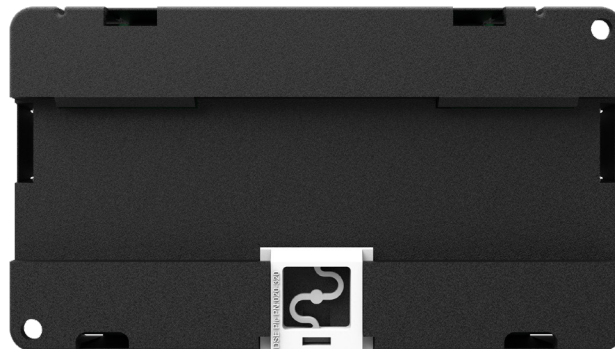
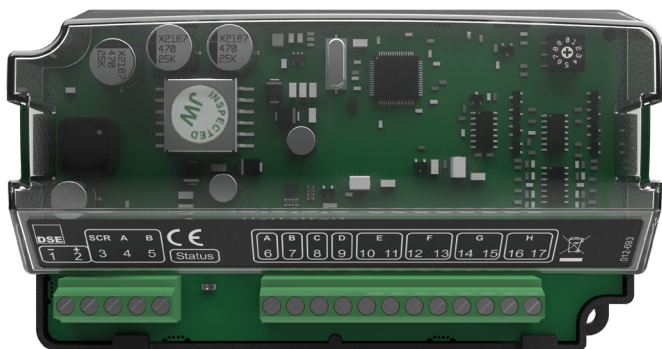


## DSE2130 DSENet® Input Expansion Module

Part Number: 2130-00



### Overview

The DSE2130 DSENet® Input Expansion Module has been developed for use with DSE modules. The DSE2130 extends the host modules input capabilities for increased application flexibility. This is achieved by providing an additional 8 inputs, consisting of 4 analogue inputs (can be configured as digital) and 4 digital inputs.

For enhanced communication with the host module, the DSE2130 features a DSENet® port for connection to DSE modules. A red status LED is provided to easily identify when the DSE2130 is connected to a power source and communicating with the host controller.

### Key Features

- 4 analogue inputs (configurable as digital inputs)
- 4 digital inputs
- Status LED to indicate Power On and Link Lost
- DSENet® Communication

### Product Approvals

- + CE
- + UL Listed: Standard - UL 6200:2<sup>nd</sup> Edition

### Product Documentation

053-033 – DSE2130 Installation Instructions  
057-082 – DSE2130 Operator Manual



**DEEP SEA ELECTRONICS UK**  
T: +44 (0) 1723 890099  
E: sales@deepseaelectronics.com  
W: www.deepseaelectronics.com

**DEEP SEA ELECTRONICS USA**  
T: +1 (815) 316 8706  
E: usasales@deepseaelectronics.com  
W: www.deepseaelectronics.com

**DEEP SEA ELECTRONICS UAE**  
T: +971 (0) 45910819  
E: uaesales@deepseaelectronics.com  
W: www.deepseaelectronics.com

**DEEP SEA ELECTRONICS INDIA**  
T: +91 20 68195900  
E: sales@deepseaelectronics.com  
W: www.deepseaelectronics.com

## DSE2130 DSENet® Input Expansion Module

Part Number: 2130-00

Specifications	
<b>DC Supply</b>	
<b>Continuous Voltage Rating</b>	8 V to 35 V DC continuous
<b>Cranking Dropouts</b>	Able to survive 0 V for 50 ms, providing supply was at least 10 V before dropout and supply recovers to 5 V.
<b>Maximum Operating Current</b>	200 mA at 12 V, 100 mA at 24 V
<b>Maximum Standby Current</b>	120 mA at 12 V, 60 mA at 24 V
<b>Analogue Inputs</b>	
<b>Number</b>	4
<b>Configurable as</b>	Negative Switching Digital Input or Resistive Analogue Input
<b>Digital Input Closed Voltage Threshold</b>	Less than 2.1 V
<b>Digital Input Open Voltage Threshold</b>	Greater than 6.6 V
<b>Analogue Measurement Range</b>	0 Ω to 480 Ω
<b>Analogue Resolution</b>	1 %
<b>Analogue Accuracy</b>	2 %
<b>Digital Inputs</b>	
<b>Number</b>	4
<b>Type</b>	Negative Switching Digital Input
<b>Input Closed Voltage Threshold</b>	Less than 2.1 V
<b>Input Open Voltage Threshold</b>	Greater than 6.6 V

### Product Documentation

053-033 – DSE2130 Installation Instructions

057-082 – DSE2130 Operator Manual



**DEEP SEA ELECTRONICS UK**  
 T: +44 (0) 1723 890099  
 E: sales@deepseaelectronics.com  
 W: www.deepseaelectronics.com

**DEEP SEA ELECTRONICS USA**  
 T: +1 (815) 316 8706  
 E: usasales@deepseaelectronics.com  
 W: www.deepseaelectronics.com

**DEEP SEA ELECTRONICS UAE**  
 T: +971 (0) 45910819  
 E: uaesales@deepseaelectronics.com  
 W: www.deepseaelectronics.com

**DEEP SEA ELECTRONICS INDIA**  
 T: +91 20 68195900  
 E: sales@deepseaelectronics.com  
 W: www.deepseaelectronics.com

## DSE2130 DSENet® Input (8) Expansion Module

Part Number: 2130-00

Specifications	
<b>Communications</b>	
DSENet®	Fully isolated
<b>Temperature</b>	
Operating Temperature	-30 °C to +70 °C / -22 °F to +158 °F
Storage Temperature	-40 °C to +85 °C / -40 °F to +185 °F
<b>Dimensions</b>	
Overall (W x H x D)	134.5 mm x 76.4 mm x 48.9 mm / 5.30 " x 3.00 " x 1.93 "
<b>Mounting</b>	
DIN Rail	35 mm / 1.35"
Chassis	2 M4 mounting holes with 122.5 mm x 64.5 mm / 4.83 " x 2.54 " centres

### Product Documentation

053-033 – DSE2130 Installation Instructions

057-082 – DSE2130 Operator Manual



**DEEP SEA ELECTRONICS UK**  
 T: +44 (0) 1723 890099  
 E: sales@deepseaelectronics.com  
 W: www.deepseaelectronics.com

**DEEP SEA ELECTRONICS USA**  
 T: +1 (815) 316 8706  
 E: usasales@deepseaelectronics.com  
 W: www.deepseaelectronics.com

**DEEP SEA ELECTRONICS UAE**  
 T: +971 (0) 45910819  
 E: uaesales@deepseaelectronics.com  
 W: www.deepseaelectronics.com

**DEEP SEA ELECTRONICS INDIA**  
 T: +91 20 68195900  
 E: sales@deepseaelectronics.com  
 W: www.deepseaelectronics.com

## DSE2130 DSENet® Input (8) Expansion Module

Part Number: 2130-00

Related Products		
<b>DSEgenset®</b>		
DSEG8900	7" Colour Parallel Genset Controller	G8900-01
DSEG8680	Bus Tie Controller	G8680-01
DSEG8660	Mains (Utility) Controller	G8660-01
DSEG8600	Parallel Genset Controller with Integral Heater	G8600-01
DSE8680	Synchronising Generator Bus Tie Control Module	8680-01
DSE8660 MKII	Auto Transfer Switch & Mains (Utility) Control Module	8660-02
DSE8620 MKII	Synchronising Auto Mains (Utility) Failure Load Share Control Module	8620-02
DSE8610 MKII	Synchronising & Load Sharing Auto Start Control Module	8610-02
DSE7420 MKII	Auto Mains (Utility) Failure Control Module	7420-03
DSE7410 MKII	Auto Start Control Module	7410-03
DSE7320 MKII	Auto Mains (Utility) Failure Control Module	7320-03
DSE7310 MKII	Auto Start Control Module	7310-03
DSE6120 MKIII	Auto Mains (Utility) Failure Control Module	6120-05
DSE6110 MKII	Auto Start Control Module	6110-05
<b>DSEControl®</b>		
DSE800	Engine Only Control Module	E800-01
<b>DSEAts®</b>		
DSE335 MKII	Auto Transfer Switch Control Module	335-11
<b>DSENet®</b>		
DSE2548	DSENet® LED Output Expansion Module	2548-01
DSE2170	DSENet® RTD/Thermocouple/Analogue Output Expansion Module	2170-01
DSE2160	DSENet® Input / Output Expansion Module	2160-01
DSE2157	DSENet® Output Expansion Module	2157-01
DSE2152	DSENet® Analogue Output Expansion Module	2152-01
DSE2133	DSENet® RTD/Thermocouple Input Expansion Module	2133-01
DSE2131	DSENet® Ratiometric Input Expansion Module	2131-01

### Product Documentation

053-033 – DSE2130 Installation Instructions

057-082 – DSE2130 Operator Manual



**DEEP SEA ELECTRONICS UK**  
 T: +44 (0) 1723 890099  
 E: sales@deepseaelectronics.com  
 W: www.deepseaelectronics.com

**DEEP SEA ELECTRONICS USA**  
 T: +1 (815) 316 8706  
 E: usasales@deepseaelectronics.com  
 W: www.deepseaelectronics.com

**DEEP SEA ELECTRONICS UAE**  
 T: +971 (0) 45910819  
 E: uaesales@deepseaelectronics.com  
 W: www.deepseaelectronics.com

**DEEP SEA ELECTRONICS INDIA**  
 T: +91 20 68195900  
 E: sales@deepseaelectronics.com  
 W: www.deepseaelectronics.com

## DSE2130 DSENet® Input (8) Expansion Module

Part Number: 2130-00

Environmental Testing Standards	
Electro-Magnetic Compatibility	
BS EN 61000-6-2	EMC Generic Immunity Standard for the Industrial Environment
BS EN 61000-6-4	EMC Generic Emission Standard for the Industrial Environment
Electrical Safety	
BS EN 61010	Safety of Information Technology Equipment, including Electrical Business Equipment
Temperature	
BS EN 60068-2-1	Ab/Ae Cold Test -30 °C
BS EN 60068-2-2	Bb/Be Dry Heat +70 °C
Vibration	
BS EN 60068-2-6	Ten sweeps in each of three major axes 5 Hz to 8 Hz at ±7.5 mm, 8 Hz to 500 Hz at 2 Gn
Humidity	
BS EN 60068-2-30	Db Damp Heat Cyclic 20/55 °C at 95% Relative Humidity 48 Hours
BS EN 60068-2-78	Cab Damp Heat Static 40 °C at 93% Relative Humidity 48 Hours
Shock	
BS EN 60068-2-27	Three shocks in each of three major axes 15 Gn in 11 ms
Degrees of Protection Provided by Enclosures	
BS EN 60529	IP21

Pin Out Description	
Pin	Description
1 to 2	DC Supply
3 to 5	DSENet®
6 to 9	Digital Inputs
10 to 17	Analogue Inputs

### Product Documentation

053-033 – DSE2130 Installation Instructions

057-082 – DSE2130 Operator Manual



**DEEP SEA ELECTRONICS UK**  
T: +44 (0) 1723 890099  
E: sales@deepseaelectronics.com  
W: www.deepseaelectronics.com

**DEEP SEA ELECTRONICS USA**  
T: +1 (815) 316 8706  
E: usasales@deepseaelectronics.com  
W: www.deepseaelectronics.com

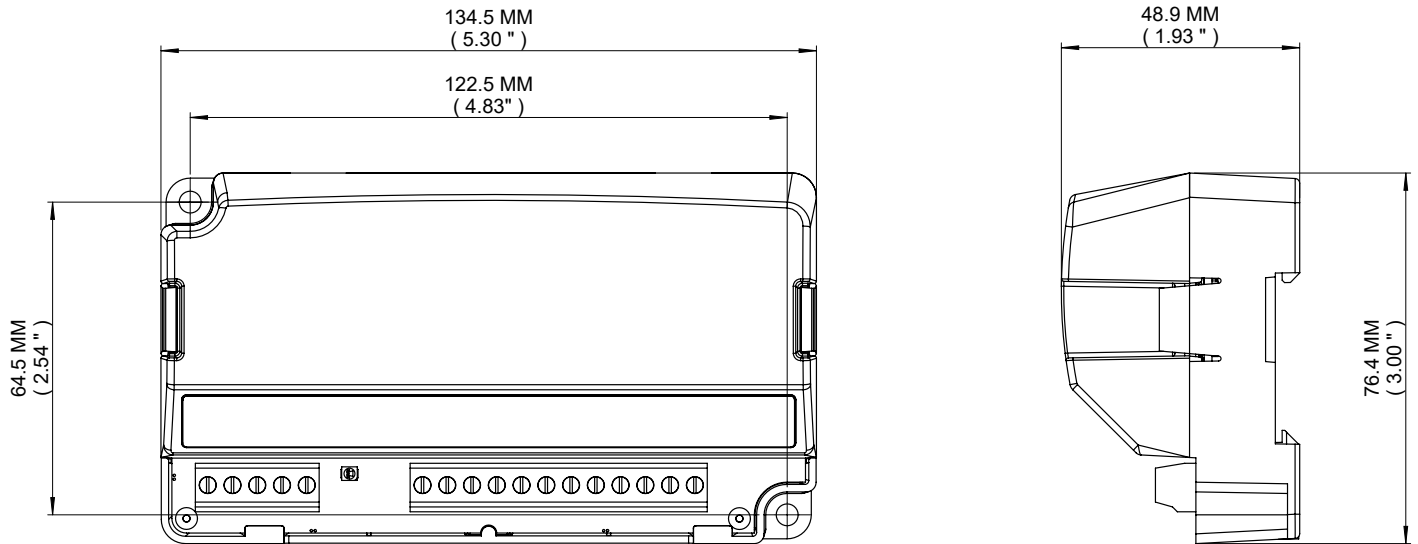
**DEEP SEA ELECTRONICS UAE**  
T: +971 (0) 45910819  
E: uaesales@deepseaelectronics.com  
W: www.deepseaelectronics.com

**DEEP SEA ELECTRONICS INDIA**  
T: +91 20 68195900  
E: sales@deepseaelectronics.com  
W: www.deepseaelectronics.com

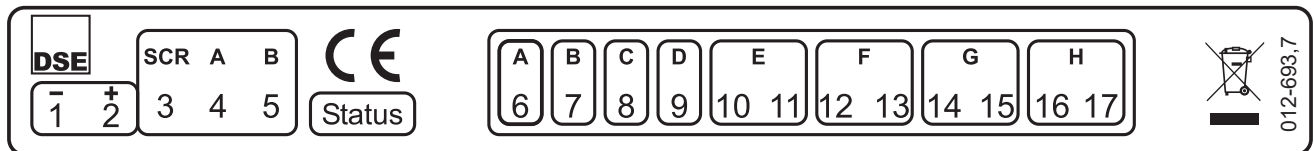
## DSE2130 DSENet® Input (8) Expansion Module

Part Number: 2130-00

### Technical Drawing



### Connection Label



### Product Documentation

053-033 – DSE2130 Installation Instructions  
 057-082 – DSE2130 Operator Manual



**DEEP SEA ELECTRONICS UK**  
 T: +44 (0) 1723 890099  
 E: sales@deepseaelectronics.com  
 W: www.deepseaelectronics.com

**DEEP SEA ELECTRONICS USA**  
 T: +1 (815) 316 8706  
 E: usasales@deepseaelectronics.com  
 W: www.deepseaelectronics.com

**DEEP SEA ELECTRONICS UAE**  
 T: +971 (0) 45910819  
 E: uaesales@deepseaelectronics.com  
 W: www.deepseaelectronics.com

**DEEP SEA ELECTRONICS INDIA**  
 T: +91 20 68195900  
 E: sales@deepseaelectronics.com  
 W: www.deepseaelectronics.com