



DSEM-Series

Page	Product Name	Part No.
02	DSEM812 Connector Harness	(016-185)
03	DSEM812 Connector Set	(007-1073)
04	DSEM810 Connector Harness	(016-189)
05	DSEM810 Connector Set	(007-1178)
06	DSEM810 – WIFI / Bluetooth Antenna SMA(M)	(020-1080)
07	DSEM870 Connector Harness Set	(016-167)
08	DSEM840 Connector Harness	(016-168)
09	DSEM643 Connector Set	(007-1020)
10	DSEM643 Connector Harness Set	(016-174)
11	DSEM640 Connector Set	(007-035)
12	DSEM64X Connector Harness Set	(007-036)

DSEE-Series

Page	Product Name	Part No.
13	DSEE400 Connector Harness Set	(007-852)
14	DSEE050 / DSEM835 – Programming Harness	(016-177)
15	DSEE050 / DSEM835 – Connector Harness	(016-176)
16	DSEE400 / DSEM835 / DSEM840 / DSEM870 – DT16 Deutsch Connector A	(007-850)
17	DSEE400 / DSEM870 – DT16 Deutsch Connector C	(007-851)
18	DSEE400 / DSEM870 – DT16 Connector IP Plug	(020-1042)
19	Ethernet Programming Cable	(016-160)
20	USB Interface Cable	(016-161)



DSEM812 – Connector Harness

Part Number: 016-185



Description	Coded DSEM812 connectors pre-wired with 1 m cable (3 ft 3 ")
Material	Connectors: Glass reinforced PBT
Colour	Black (A), Grey (B)
Protection	IP67 NEMA 6
Temperature Rating	-40 ° C to +80 ° C / -40 ° F to + 176 ° F
Weight	0.8 kg 28 oz
Wiring	



Note: Suitable for development use only

DEEP SEA ELECTRONICS UK
T: +44 (0) 1723 890099
E: sales@deepseaelectronics.com
W: www.deepseaelectronics.com

DEEP SEA ELECTRONICS USA
T: +1 (815) 316 8706
E: usasales@deepseaelectronics.com
W: www.deepseaelectronics.com

DEEP SEA ELECTRONICS UAE
T: +971 (0) 45910819
E: uaesales@deepseaelectronics.com
W: www.deepseaelectronics.com

DEEP SEA ELECTRONICS INDIA
T: +91 20 68195900
E: sales@deepseaelectronics.com
W: www.deepseaelectronics.com



DSEM812 – Connector Set

Part Number: 007-1073



Description	Set of 2 coded AMPSEAL connectors complete with crimps / contacts
Material	Glass reinforced PBT
Colour	Black (A), Grey (B)
Protection	IP67 NEMA 6
Temperature Rating	-40 °C to +80 °C / -40 °F to + 176 °F
Weight	4 g 0.14 oz
Wiring	



DEEP SEA ELECTRONICS UK
T: +44 (0) 1723 890099
E: sales@deepseaelectronics.com
W: www.deepseaelectronics.com

DEEP SEA ELECTRONICS USA
T: +1 (815) 316 8706
E: usasales@deepseaelectronics.com
W: www.deepseaelectronics.com

DEEP SEA ELECTRONICS UAE
T: +971 (0) 45910819
E: uaesales@deepseaelectronics.com
W: www.deepseaelectronics.com

DEEP SEA ELECTRONICS INDIA
T: +91 20 68195900
E: sales@deepseaelectronics.com
W: www.deepseaelectronics.com

Deep Sea Electronics Ltd maintains a policy of continuous development and reserves the right to change the details shown on this data sheet without prior notice. The contents are intended for guidance only.

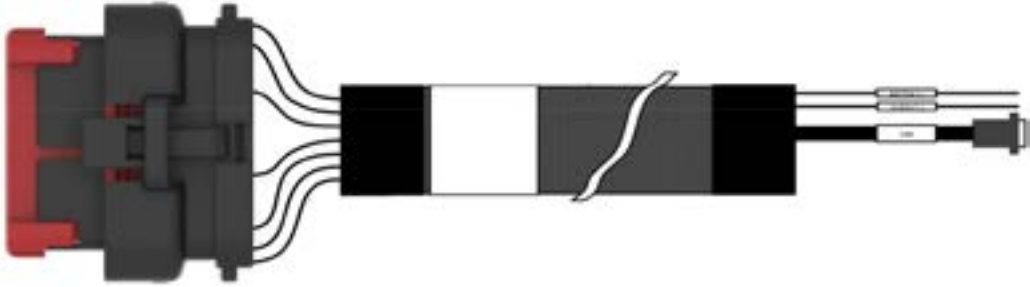
Registered in England & Wales No.01319649
VAT No.316923457



DSEM810 – Connector Harness

Part Number: 016-189



Description	Coded DSEM810 connector pre-wired with 1 m cable (3 ft 3 ")
Material	Glass reinforced PBT
Colour	Black
Protection	IP67 NEMA 6
Temperature Rating	-40 °C to +80 °C / -40 °F to + 176 °F
Weight	0.6 kg 21.1 oz
Wiring	

NEMA6

IP67



Note: Suitable for development use only

DEEP SEA ELECTRONICS UK
T: +44 (0) 1723 890099
E: sales@deepseaelectronics.com
W: www.deepseaelectronics.com

DEEP SEA ELECTRONICS USA
T: +1 (815) 316 8706
E: usasales@deepseaelectronics.com
W: www.deepseaelectronics.com

DEEP SEA ELECTRONICS UAE
T: +971 (0) 45910819
E: uaesales@deepseaelectronics.com
W: www.deepseaelectronics.com

DEEP SEA ELECTRONICS INDIA
T: +91 20 68195900
E: sales@deepseaelectronics.com
W: www.deepseaelectronics.com

Deep Sea Electronics Ltd maintains a policy of continuous development and reserves the right to change the details shown on this data sheet without prior notice. The contents are intended for guidance only.


Registered in England & Wales No.01319649
VAT No.316923457



DSEM810 – Connector Set

Part Number: 007-1178



Description	Coded AMPSEAL connectors complete with crimps / contacts (2 x 770854-3 (gold plated) for pins A1 and A9, and 21 x 770854-1 (tin plated) for all other pins)
Material	Glass reinforced PBT
Colour	Black
Protection	IP67 NEMA 6
Temperature Rating	-40 °C to +80 °C / -40 °F to + 176 °F
Weight	30 g 1 oz
Wiring	



DEEP SEA ELECTRONICS UK
T: +44 (0) 1723 890099
E: sales@deepseaelectronics.com
W: www.deepseaelectronics.com

DEEP SEA ELECTRONICS USA
T: +1 (815) 316 8706
E: usasales@deepseaelectronics.com
W: www.deepseaelectronics.com

DEEP SEA ELECTRONICS UAE
T: +971 (0) 45910819
E: uaesales@deepseaelectronics.com
W: www.deepseaelectronics.com

DEEP SEA ELECTRONICS INDIA
T: +91 20 68195900
E: sales@deepseaelectronics.com
W: www.deepseaelectronics.com

Deep Sea Electronics Ltd maintains a policy of continuous development and reserves the right to change the details shown on this data sheet without prior notice. The contents are intended for guidance only.

Registered in England & Wales No.01319649
VAT No.316923457



DSEM810 – WIFI / Bluetooth Antenna SMA(M)

Part Number: 020-1080



Description	2.4 GHz ISM Ultra Wideband Antenna
Material	ABS UV Stable
Colour	Black
Protection	IP44
Temperature Rating	-40 °C to +85 °C / -40 °F to + 185 °F
Weight	50 g 1.76 oz
Wiring	



DEEP SEA ELECTRONICS UK
T: +44 (0) 1723 890099
E: sales@deepseaelectronics.com
W: www.deepseaelectronics.com

DEEP SEA ELECTRONICS USA
T: +1 (815) 316 8706
E: usasales@deepseaelectronics.com
W: www.deepseaelectronics.com

DEEP SEA ELECTRONICS UAE
T: +971 (0) 45910819
E: uaesales@deepseaelectronics.com
W: www.deepseaelectronics.com

DEEP SEA ELECTRONICS INDIA
T: +91 20 68195900
E: sales@deepseaelectronics.com
W: www.deepseaelectronics.com

Deep Sea Electronics Ltd maintains a policy of continuous development and reserves the right to change the details shown on this data sheet without prior notice. The contents are intended for guidance only.

Registered in England & Wales No.01319649
VAT No.316923457



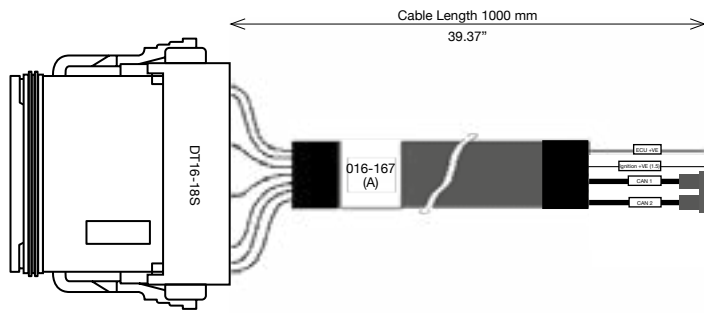
DSEM870 – Connector Harness Set

Part Number: 016-167



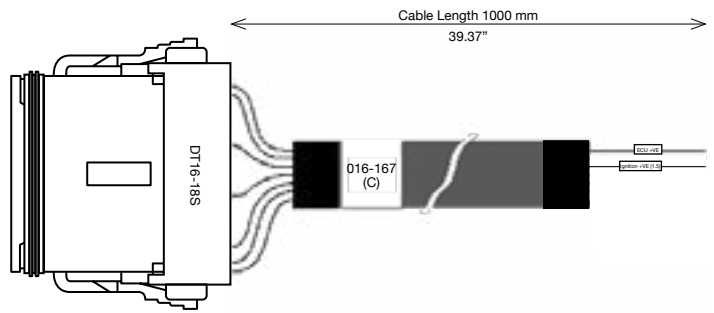
Description	Coded DSEM870 connectors pre-wired with 1 m cable (3 ft 3 ")
Material	Connectors: Plastic PUR
Colour	Black connectors. Cables wiring diagram information
Protection	IP67 NEMA 6
Temperature Rating	-40 °C to +80 °C / -40 °F to + 176 °F
Weight	0.5 kg (1 lb 2 oz)

Harness A



PIN	CRIMP	SIZE (MM²)	COLOUR	CABLE IDENT.	INFORMATION	CONNECTOR	PIN
1	0462-201-16	0.75 mm²	Black	ECU Gnd		Free End	
2	0462-201-16	Belden 9481		CAN 1 GND	Screen for Pins 8, 14	A	5
3	0462-201-16	Belden 9841		CAN 2 GND	Screen for Pins 9, 15	B	5
4							
5	0462-201-16	AV Cable		Camera 1 GND		Free End	
6	0462-201-16	AV Cable		Camera 2 GND		Free End	
7	0462-201-16	0.75mm	Red	ECU +VE		Free End	
8	0462-201-16	Belden 9841	Blue	CAN 1 H	Twisted Pair Pins 8, 14	A	7
9	0462-201-16	Belden 9841	Blue	CAN 2 H	Twisted Pair Pins 9, 15	B	7
10							
11	0462-201-16	AV Cable		Camera 1		Free End	
12	0462-201-16	AV Cable		Camera 2		Free End	
13	0462-201-16	0.75mm	Red	Ignition +VE (15)		Free End	
14	0462-201-16	Belden 9841	White	CAN 1 L	Twisted Pair Pins 14, 8	A	2
15	0462-201-16	Belden 9841	White	CAN 2 L	Twisted Pair Pins 15, 9	B	2
16							
17							
18							

Harness C



PIN	CRIMP	SIZE (MM²)	COLOUR	CABLE IDENT.	INFORMATION	CONNECTOR	PIN
1	0462-201-16	0.75 mm²	Red	Output Supply +VE	Common +VE Plug	Free End	
2	0462-201-16	0.75 mm²	Orange	Output 1	Common Output Plug	Free End	
3	0462-209-16	0.75 mm²	Orange	Output 2	Common Output Plug	Free End	
4	0462-201-16	0.75 mm²	Orange	Output 3	Common Output Plug	Free End	
5	0462-201-16	0.75 mm²	Orange	Output 4	Common Output Plug	Free End	
6	0462-201-16	0.75 mm²	Red	Vref +VE		Free End	
7	0462-201-16	0.75 mm²	Black	Output Supply GND	Common GND Plug	Free End	
8							
9							
10							
11							
12	0462-201-16	0.75 mm²	Black	Output Supply GND	Common GND Plug	Free End	
13	0462-201-16	0.75 mm²	Blue	Aux 12 +VE Output		Free End	
14	0462-201-16	0.75 mm²	Yellow	Input 1	Common Input Plug	Free End	
15	0462-201-16	0.75 mm²	Yellow	Input 2	Common Input Plug	Free End	
16	0462-201-16	0.75 mm²	Yellow	Input 3	Common Input Plug	Free End	
17	0462-201-16	0.75 mm²	Yellow	Input 4	Common Input Plug	Free End	
18	0462-201-16	0.75 mm²	Black	Vref -VE		Free End	

A & B, Female Dsub 9
Plastic Black Unshielded Screen to be connected to PIN 5

Note: Suitable for development use only



DEEP SEA ELECTRONICS UK
T: +44 (0) 1723 890099
E: sales@deepseaelectronics.com
W: www.deepseaelectronics.com

DEEP SEA ELECTRONICS USA
T: +1 (815) 316 8706
E: usasales@deepseaelectronics.com
W: www.deepseaelectronics.com

DEEP SEA ELECTRONICS UAE
T: +971 (0) 45910819
E: uaesales@deepseaelectronics.com
W: www.deepseaelectronics.com

DEEP SEA ELECTRONICS INDIA
T: +91 20 68195900
E: sales@deepseaelectronics.com
W: www.deepseaelectronics.com

Deep Sea Electronics Ltd maintains a policy of continuous development and reserves the right to change the details shown on this data sheet without prior notice. The contents are intended for guidance only.

Registered in England & Wales No.01319649
VAT No.316923457

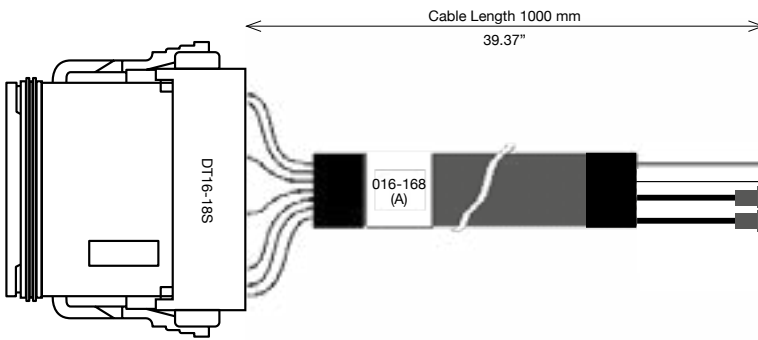


DSEM840 – Connector Harness

Part Number: 016-168



Description	Coded DSEM840 connector pre-wired with 1 m cable (3 ft 3 ")
Material	Connectors: Plastic PUR
Colour	Black connectors. Cables wiring diagram information
Protection	IP67 NEMA 6
Weight	0.5 kg (1 lb 2 oz)



PIN	CRIMP	SIZE (MM ²)	COLOUR	CABLE IDENT.	INFORMATION	CONNECTOR	PIN
1	0462-201-16	0.75 mm ²	Black	ECU GND		Free End	
2	0462-201-16	0.75 mm ²	Orange	Output 2		Free End	
3	0462-209-16	0.75 mm ²	Orange	Output 1		Free End	
4	0462-201-16	0.75 mm ²	Orange	Output 4		Free End	
5	0462-201-16	0.75 mm ²	Orange	Output 3		Free End	
6	0462-201-16	0.75 mm ²	Red	Vref +VE		Free End	
7	0462-201-16	0.75 mm ²	Red	ECU +VE		Free End	
8	0462-201-16	Belden 9841	Blue	CAN 1 H	Twisted Pair Pins 8, 14	SubD9 (A)	7
9	0462-201-16	Belden 9841	Blue	CAN 2 H	Twisted Pair Pins 9, 15	SubD9 (B)	7
10	0462-201-16	0.75 mm ²	Orange	Input 1		Free End	
11	0462-201-16	0.75 mm ²	Orange	Input 2		Free End	
12	0462-201-16	AV Cable	Orange	Camera 1		Free End	
13	0462-201-16	0.75 mm ²	Red	Ignition +VE (15)		Free End	
14	0462-201-16	Belden 9841	White	CAN 1 L	Twisted Pair Pins 14, 8	SubD9 (A)	2
15	0462-201-16	Belden 9841	White	CAN 2 L	Twisted Pair Pins 15, 9	SubD9 (B)	2
16	0462-201-16	0.75 mm ²	Orange	Input 3		Free End	
17	0462-201-16	0.75 mm ²	Orange	Input 4		Free End	
18	0462-201-16	AV Cable	Orange	Camera 1 GND		Free End	

Connector: A & B, Female SubD9
Shell: Plastic Black Unshielded
Cable: Screen to be connected to PIN 5



Note: Suitable for development use only

DEEP SEA ELECTRONICS UK
T: +44 (0) 1723 890099
E: sales@deepseaelectronics.com
W: www.deepseaelectronics.com

DEEP SEA ELECTRONICS USA
T: +1 (815) 316 8706
E: usasales@deepseaelectronics.com
W: www.deepseaelectronics.com

DEEP SEA ELECTRONICS UAE
T: +971 (0) 45910819
E: uaesales@deepseaelectronics.com
W: www.deepseaelectronics.com



DEEP SEA ELECTRONICS INDIA
T: +91 20 68195900
E: sales@deepseaelectronics.com
W: www.deepseaelectronics.com



DSEM643 – Connector Set

Part Number: 007-1020



Description	Set of 2 coded AMPSEAL connectors complete with crimps / contacts
Material	Glass reinforced PBT
Colour	Black (A), Grey (C)
Protection	IP67 NEMA 6
Weight	250 g 9 oz
Wiring	<p>Connector (A)</p>  <p>Connector (C)</p> 

NEMA6

IP67



DEEP SEA ELECTRONICS UK
T: +44 (0) 1723 890099
E: sales@deepseaelectronics.com
W: www.deepseaelectronics.com

DEEP SEA ELECTRONICS USA
T: +1 (815) 316 8706
E: usasales@deepseaelectronics.com
W: www.deepseaelectronics.com

DEEP SEA ELECTRONICS UAE
T: +971 (0) 45910819
E: uaesales@deepseaelectronics.com
W: www.deepseaelectronics.com

DEEP SEA ELECTRONICS INDIA
T: +91 20 68195900
E: sales@deepseaelectronics.com
W: www.deepseaelectronics.com

Deep Sea Electronics Ltd maintains a policy of continuous development and reserves the right to change the details shown on this data sheet without prior notice. The contents are intended for guidance only.

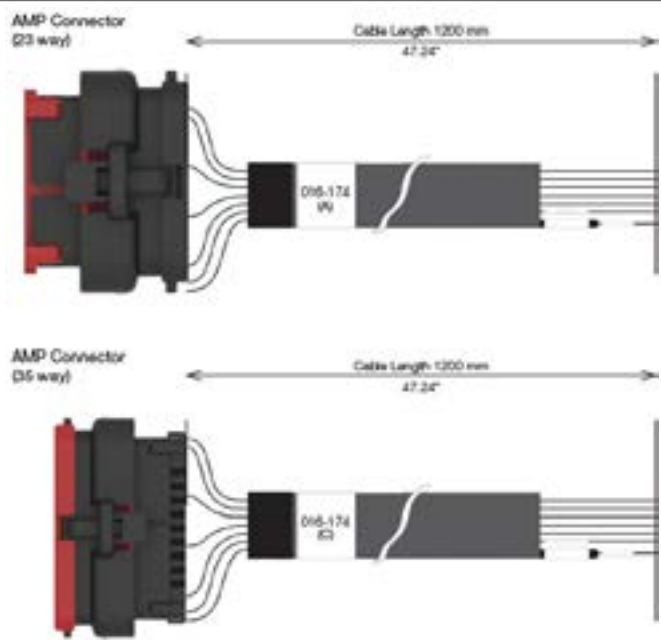
Registered in England & Wales No.01319649
VAT No.316923457



DSEM643 – Connector Harness Set

Part Number: 016-174



Description	Set of 2 coded AMPSEAL connectors pre-wired with 1.2 m cable (3 ft 11 ")
Material	Connectors: Glass reinforced PBT Cable: PVC insulation
Colour	Connectors: Black (A), Grey (C) Cable: Black with white core numbering
Protection (Connector End)	IP65 NEMA 4
Temperature Rating	-40 °C to +80 °C / -40 °F to + 176 °F
Weight	1 kg 2 lb 3 oz
Wiring	 <p>AMP Connector (23 way) Cable Length 1200 mm 47.24"</p> <p>AMP Connector (35 way) Cable Length 1200 mm 47.24"</p>

NEMA5

IP65



Note: Suitable for development use only

DEEP SEA ELECTRONICS UK
T: +44 (0) 1723 890099
E: sales@deepseaelectronics.com
W: www.deepseaelectronics.com

DEEP SEA ELECTRONICS USA
T: +1 (815) 316 8706
E: usasales@deepseaelectronics.com
W: www.deepseaelectronics.com

DEEP SEA ELECTRONICS UAE
T: +971 (0) 45910819
E: uaesales@deepseaelectronics.com
W: www.deepseaelectronics.com

DEEP SEA ELECTRONICS INDIA
T: +91 20 68195900
E: sales@deepseaelectronics.com
W: www.deepseaelectronics.com

Deep Sea Electronics Ltd maintains a policy of continuous development and reserves the right to change the details shown on this data sheet without prior notice. The contents are intended for guidance only.


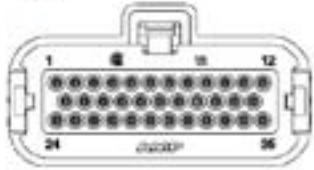
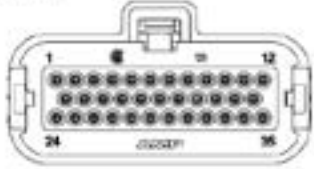
Registered in England & Wales No.01319649
VAT No.316923457



DSEM640 – Connector Set

Part Number: 007-035



Description	Set of 3 coded AMPSEAL connectors complete with crimps / contacts
Material	Glass reinforced PBT
Colour	Black (A), Grey (B), Black (C)
Protection (Connector End)	IP67 NEMA 6
Weight	0.4 kg 14 oz
Wiring	<p>Connector (A)</p>  <p>Connector (B)</p>  <p>Connector (C)</p> 

NEMA6

IP67



DEEP SEA ELECTRONICS UK
T: +44 (0) 1723 890099
E: sales@deepseaelectronics.com
W: www.deepseaelectronics.com

DEEP SEA ELECTRONICS USA
T: +1 (815) 316 8706
E: usasales@deepseaelectronics.com
W: www.deepseaelectronics.com

DEEP SEA ELECTRONICS UAE
T: +971 (0) 45910819
E: uaesales@deepseaelectronics.com
W: www.deepseaelectronics.com

DEEP SEA ELECTRONICS INDIA
T: +91 20 68195900
E: sales@deepseaelectronics.com
W: www.deepseaelectronics.com

Deep Sea Electronics Ltd maintains a policy of continuous development and reserves the right to change the details shown on this data sheet without prior notice. The contents are intended for guidance only.

Registered in England & Wales No.01319649
VAT No.316923457



DSEM640 – Connector Harness Set

Part Number: 007-036



Description	Set of 3 coded AMPSEAL connectors pre-wired with 1.2 m cable (3 ft 11 ")
Material	Connectors: Glass reinforced PBT Cable: PVC insulation
Colour	Connectors: Black (A), Grey (B), Black (C) Cable: Black with white core numbering
Protection (Connector End)	IP67 NEMA 6
Temperature Rating	-40 °C to +80 °C / -40 °F to + 176 °F
Weight	1.4 kg 3 lb 1 oz
Wiring	<p>The wiring diagrams show three AMP connectors (A, B, and C) with their respective cable lengths and pin configurations. Each diagram includes a dimension line indicating a cable length of 1200mm (49.21").</p>



Note: Suitable for development use only

DEEP SEA ELECTRONICS UK
T: +44 (0) 1723 890099
E: sales@deepseaelectronics.com
W: www.deepseaelectronics.com

DEEP SEA ELECTRONICS USA
T: +1 (815) 316 8706
E: usasales@deepseaelectronics.com
W: www.deepseaelectronics.com

DEEP SEA ELECTRONICS UAE
T: +971 (0) 45910819
E: uaesales@deepseaelectronics.com
W: www.deepseaelectronics.com

DEEP SEA ELECTRONICS INDIA
T: +91 20 68195900
E: sales@deepseaelectronics.com
W: www.deepseaelectronics.com

Deep Sea Electronics Ltd maintains a policy of continuous development and reserves the right to change the details shown on this data sheet without prior notice. The contents are intended for guidance only.

Registered in England & Wales No.01319649
VAT No.316923457



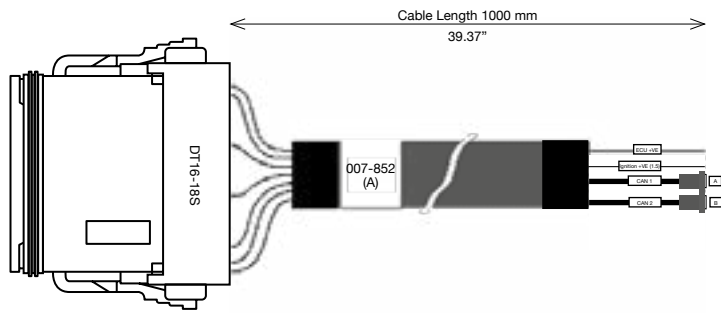
DSEE400 – Connector Harness Set

Part Number: 007-852

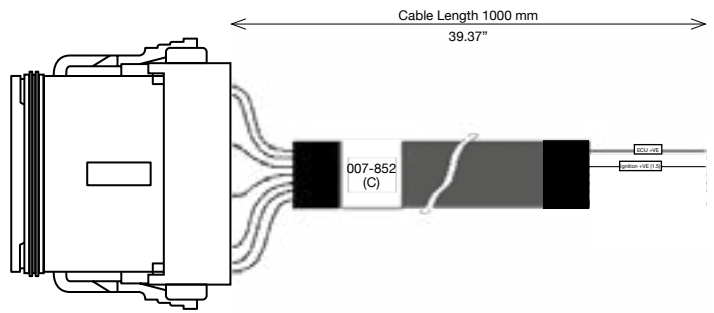


Description	Coded DSEE400 connectors pre-wired with 1 m cable (3 ft 3 ")
Material	Connectors: Plastic PUR
Colour	Black connectors and black cable with white core numbering
Protection	IP67 NEMA 6
Temperature Rating	-40 °C to +80 °C / -40 °F to + 176 °F
Weight	0.5 kg (1 lb 2 oz)

Harness A



Harness C



PIN	CRIMP	SIZE (MM²)	SIZE (AWG)	CABLE IDENT.	INFORMATION
1	0462-201-16	0.823 mm²	18 AWG	Output C	
2	0462-201-16	0.823 mm²	18 AWG	Output D	
3	0462-201-16	2.08 mm²	14 AWG	E-Stop	
4	0462-201-16	0.823 mm²	18 AWG	Output A	
5	0462-201-16	0.823 mm²	18 AWG	Output B	
6	0462-201-16	0.518 mm²	20 AWG	Digital Input A	
7	0462-201-16	0.823 mm²	18 AWG	Plant Supply +ve	Twisted Pair Pins 7, 13
8	0462-201-16	0.518 mm²	20 AWG	CAN Screen	Screened Cable 1
9	0462-201-16	0.518 mm²	20 AWG	CAN L	Screened Cable 1
10	0462-201-16	0.518 mm²	20 AWG	CAN H	Screened Cable 1
11	0462-201-16	0.518 mm²	20 AWG	Flex Sender Comm	
12	0462-201-16	0.518 mm²	20 AWG	Digital Input B	
13	0462-201-16	0.823 mm²	18 AWG	Plant Supply -ve	Twisted Pair Pins 13, 7
14	0462-201-16	0.518 mm²	20 AWG	Charge Fail	
15	0462-201-16	0.518 mm²	20 AWG	Flex Sender D	
16	0462-201-16	0.518 mm²	20 AWG	Flex Sender C	
17	0462-201-16	0.518 mm²	20 AWG	Flex Sender B	
18	0462-201-16	0.518 mm²	20 AWG	Flex Sender A	

PIN	CRIMP	SIZE (MM²)	SIZE (AWG)	CABLE IDENT.	INFORMATION
1	0462-201-16	0.518 mm²	20 AWG	Gov B	Twisted Pair Pins 1, 7
2	0462-201-16	0.518 mm²	20 AWG	RS485 A	Screened Cable 2
3	0462-201-16	0.518 mm²	20 AWG	RS485 Screen	Screened Cable 2
4	0462-201-16	0.518 mm²	20 AWG	Flex Sender Comm	
5	0462-201-16	0.518 mm²	20 AWG	Flex Sender E	
6	0462-201-16	0.518 mm²	20 AWG	Flex Sender F	
7	0462-201-16	0.518 mm²	20 AWG	Gov A	Twisted Pair Pins 7, 1
8	0462-201-16	0.518 mm²	20 AWG	RS485 B	Screened Cable 2
9	0462-201-16	0.518 mm²	20 AWG	MPU+	Screened Cable 3
10	0462-201-16	0.518 mm²	20 AWG	MPU-	Screened Cable 3
11	0462-201-16	0.518 mm²	20 AWG	MPU Screen	Screen Cable 3
12	0462-201-16	0.518 mm²	20 AWG	Flex Sender G	
13	0462-201-16	2.08 mm²	14 AWG	PWMI Supply -ve	Twisted Pair Pins 13, 14
14	0462-201-16	2.08 mm²	14 AWG	PWMI Supply +ve	Twisted Pair Pins 14, 13
15	0462-201-16	0.823 mm²	18 AWG	PWMI Output F	
16	0462-201-16	0.823 mm²	18 AWG	PWMI Output E	
17	0462-201-16	0.518 mm²	20 AWG	Digital Input D	
18	0462-201-16	0.518 mm²	20 AWG	Digital Input C	

Note: Suitable for development use only



DEEP SEA ELECTRONICS UK
T: +44 (0) 1723 890099
E: sales@deepseaelectronics.com
W: www.deepseaelectronics.com

DEEP SEA ELECTRONICS USA
T: +1 (815) 316 8706
E: usasales@deepseaelectronics.com
W: www.deepseaelectronics.com

DEEP SEA ELECTRONICS UAE
T: +971 (0) 45910819
E: uaesales@deepseaelectronics.com
W: www.deepseaelectronics.com

DEEP SEA ELECTRONICS INDIA
T: +91 20 68195900
E: sales@deepseaelectronics.com
W: www.deepseaelectronics.com

Deep Sea Electronics Ltd maintains a policy of continuous development and reserves the right to change the details shown on this data sheet without prior notice. The contents are intended for guidance only.

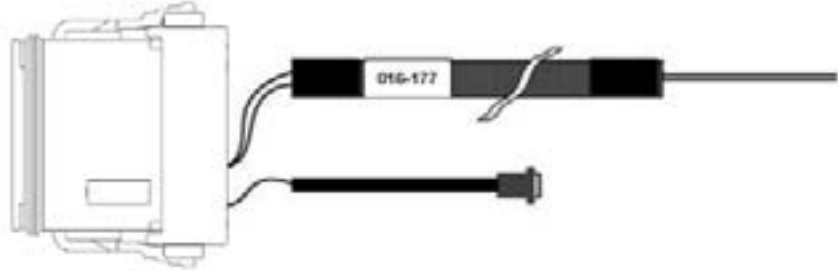
Registered in England & Wales No.01319649
VAT No.316923457



DSEE050 / DSEM835 – Programming Harness

Part Number: 016-177



Description	Coded AMPSEAL connector pre-wired with 0.5 m (1 ft 7 ") CAN cable and 1.0 m (3 ft 3 ") DC Power Cable
Material	Connectors: Glass reinforced PBT Cable: PVC insulation
Colour	Connectors: Black Cable: Black sheath with white core labelling
Protection (Connector End)	Connector End IP67 NEMA 6
Temperature Rating	-40 °C to +80 °C / -40 °F to + 176 °F
Weight	0.07 kg 2.7 oz
Wiring	



Note: Suitable for development use only

DEEP SEA ELECTRONICS UK
T: +44 (0) 1723 890099
E: sales@deepseaelectronics.com
W: www.deepseaelectronics.com

DEEP SEA ELECTRONICS USA
T: +1 (815) 316 8706
E: usasales@deepseaelectronics.com
W: www.deepseaelectronics.com

DEEP SEA ELECTRONICS UAE
T: +971 (0) 45910819
E: uaesales@deepseaelectronics.com
W: www.deepseaelectronics.com

DEEP SEA ELECTRONICS INDIA
T: +91 20 68195900
E: sales@deepseaelectronics.com
W: www.deepseaelectronics.com

Deep Sea Electronics Ltd maintains a policy of continuous development and reserves the right to change the details shown on this data sheet without prior notice. The contents are intended for guidance only.

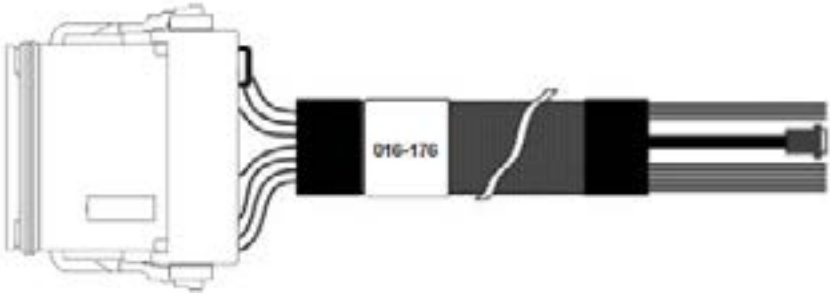
Registered in England & Wales No.01319649
VAT No.316923457



DSEE050 / DSEM835 – Connector Harness

Part Number: 016-176



Description	Coded AMPSEAL connector pre-wired with 1.0 m (3 ft 3 ") cable
Material	Connectors: Glass reinforced PBT Cable: PVC insulation
Colour	Connectors: Black Cable: Black sheath, multi-coloured cores with white core labelling
Protection (Connector End)	Connector End IP67 NEMA 6
Temperature Rating	-40 °C to +80 °C / -40 °F to + 176 °F
Weight	0.34 kg 12.2 oz
Wiring	



Note: Suitable for development use only

DEEP SEA ELECTRONICS UK
T: +44 (0) 1723 890099
E: sales@deepseaelectronics.com
W: www.deepseaelectronics.com

DEEP SEA ELECTRONICS USA
T: +1 (815) 316 8706
E: usasales@deepseaelectronics.com
W: www.deepseaelectronics.com

DEEP SEA ELECTRONICS UAE
T: +971 (0) 45910819
E: uaesales@deepseaelectronics.com
W: www.deepseaelectronics.com

DEEP SEA ELECTRONICS INDIA
T: +91 20 68195900
E: sales@deepseaelectronics.com
W: www.deepseaelectronics.com



DSEE400 / DSEM835 / DSEM840 / DSEM870 – DT16 Deutsch Connector A

Part Number: 007-850



Description	DT16 Deutsch connector A 18 way complete with pins DT16-18SA-K004 0462-201-16 crimp (x17) 0464-209-16 crimp (x1)
Material	Connector: Plastic
Colour	Connector: Black
Protection (Connector End)	IP68 NEMA 6P
Temperature Rating	-55 °C to +125 °C / -67 °F to + 257 °F
Weight	0.1 kg 3.5 oz
Wiring	



DEEP SEA ELECTRONICS UK
T: +44 (0) 1723 890099
E: sales@deepseaelectronics.com
W: www.deepseaelectronics.com

DEEP SEA ELECTRONICS USA
T: +1 (815) 316 8706
E: usasales@deepseaelectronics.com
W: www.deepseaelectronics.com

DEEP SEA ELECTRONICS UAE
T: +971 (0) 45910819
E: uaesales@deepseaelectronics.com
W: www.deepseaelectronics.com

DEEP SEA ELECTRONICS INDIA
T: +91 20 68195900
E: sales@deepseaelectronics.com
W: www.deepseaelectronics.com

Deep Sea Electronics Ltd maintains a policy of continuous development and reserves the right to change the details shown on this data sheet without prior notice. The contents are intended for guidance only.

Registered in England & Wales No.01319649
VAT No.316923457



DSEE400 / DSEM870 – DT16 Deutsch Connector C

Part Number: 007-851



Description	DT16 Deutsch connector C 18 way complete with pins DT16-18SC-K004 0462-201-16 crimp (x16) 0464-209-16 crimp (x2)
Material	Connector: Plastic
Colour	Connector: Black
Protection (Connector End)	IP68 NEMA 6P
Temperature Rating	-55 °C to +125 °C / -67 °F to + 257 °F
Weight	0.1 kg 3.5 oz
Wiring	



DEEP SEA ELECTRONICS UK
T: +44 (0) 1723 890099
E: sales@deepseaelectronics.com
W: www.deepseaelectronics.com

DEEP SEA ELECTRONICS USA
T: +1 (815) 316 8706
E: usasales@deepseaelectronics.com
W: www.deepseaelectronics.com

DEEP SEA ELECTRONICS UAE
T: +971 (0) 45910819
E: uaesales@deepseaelectronics.com
W: www.deepseaelectronics.com

DEEP SEA ELECTRONICS INDIA
T: +91 20 68195900
E: sales@deepseaelectronics.com
W: www.deepseaelectronics.com

Deep Sea Electronics Ltd maintains a policy of continuous development and reserves the right to change the details shown on this data sheet without prior notice. The contents are intended for guidance only.

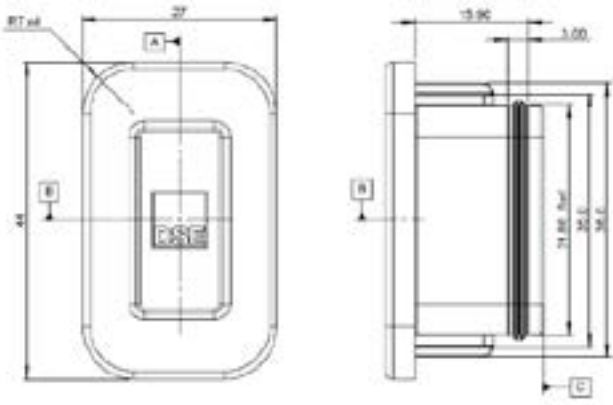
Registered in England & Wales No.01319649
VAT No.316923457



DSEE400 / DSEM870 – DT16 Connector IP Plug

Part Number: 020-1042



Description	DT16 Blanking Plug
Material	Silicone 40 shore A
Colour	Black
Weight	10 g
Wiring	



DEEP SEA ELECTRONICS UK
T: +44 (0) 1723 890099
E: sales@deepseaelectronics.com
W: www.deepseaelectronics.com

DEEP SEA ELECTRONICS USA
T: +1 (815) 316 8706
E: usasales@deepseaelectronics.com
W: www.deepseaelectronics.com

DEEP SEA ELECTRONICS UAE
T: +971 (0) 45910819
E: uaesales@deepseaelectronics.com
W: www.deepseaelectronics.com

DEEP SEA ELECTRONICS INDIA
T: +91 20 68195900
E: sales@deepseaelectronics.com
W: www.deepseaelectronics.com

Deep Sea Electronics Ltd maintains a policy of continuous development and reserves the right to change the details shown on this data sheet without prior notice. The contents are intended for guidance only.

Registered in England & Wales No.01319649
VAT No.316923457



Ethernet Programming Cable

Part Number: 016-160



Description	M12 / RJ45 Ethernet cross-over patch cable
Material	PUR / Brass, nickel-plated
Colour	Green (sheath)
Mechanical	M12 Tightening torque 0.7 Nm to 0.9 Nm
Protection	IP67 (M12) IP42 (RJ42) NEMA 6 (M12) / 3R (RJ42)
Temperature Rating	-20 °C to +60 °C / -4 °F to + 140 °F
Weight	0.167 kg 5.9 oz
Wiring	<p>Length 2 m 6 ft 7 "</p> <p>Overall Diameter 6.2 mm 0.24 "</p> <p>Individual Wires 4 x 0.33 mm² 22 AWG</p>

NEMA3R

NEMA6

IP42

IP67



DEEP SEA ELECTRONICS UK
T: +44 (0) 1723 890099
E: sales@deepseaelectronics.com
W: www.deepseaelectronics.com

DEEP SEA ELECTRONICS USA
T: +1 (815) 316 8706
E: usasales@deepseaelectronics.com
W: www.deepseaelectronics.com

DEEP SEA ELECTRONICS UAE
T: +971 (0) 45910819
E: uaesales@deepseaelectronics.com
W: www.deepseaelectronics.com

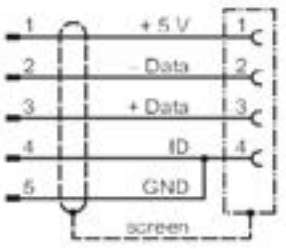
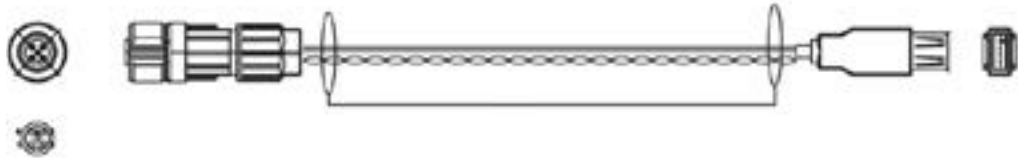
DEEP SEA ELECTRONICS INDIA
T: +91 20 68195900
E: sales@deepseaelectronics.com
W: www.deepseaelectronics.com



USB Interface Cable

Part Number: 016-161



Description	M12 B-code / USB type A socket
Material	PUR cable
Colour	Black (sheath)
Mechanical	M12 Tightening torque 0.7 Nm to 0.9 Nm
Protection	IP67 (M12) NEMA 6 (M12)
Weight	0.1 kg 3.5 oz
Wiring	<p>Length 1.2 m 3 ft 9"</p> <p>Overall Diameter 5 mm 0.19"</p> <p>Individual Wires 5 x 0.25 mm² 24 AWG</p>  

NEMA6

IP67



DEEP SEA ELECTRONICS UK
T: +44 (0) 1723 890099
E: sales@deepseaelectronics.com
W: www.deepseaelectronics.com

DEEP SEA ELECTRONICS USA
T: +1 (815) 316 8706
E: usasales@deepseaelectronics.com
W: www.deepseaelectronics.com

DEEP SEA ELECTRONICS UAE
T: +971 (0) 45910819
E: uaesales@deepseaelectronics.com
W: www.deepseaelectronics.com

DEEP SEA ELECTRONICS INDIA
T: +91 20 68195900
E: sales@deepseaelectronics.com
W: www.deepseaelectronics.com